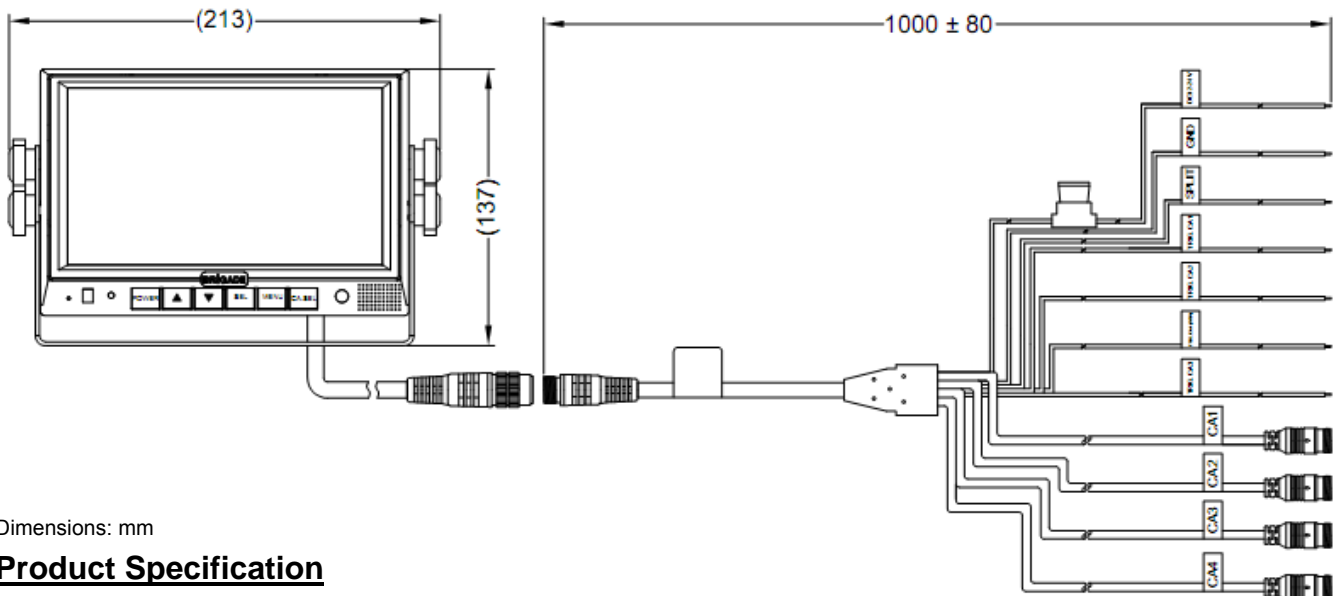


Product Specification

Brigade Model Number: **VBV-770FM Monitor**
 Brigade Stock Code: **VBV-770FM (3901)**



Dimensions: mm

Product Specification

Environmental Specifications:

- Vibration Rating: 2.83G
- Connector IP Rating: N/A
- Monitor IP Rating: N/A
- Operating Temperature: -30° to +70 °C
- Storage Temperature: -40° to +85°C

Approved Standards:

- CE
- FCC
- RoHS
- WEEE
- 'e' Mark (Waiting for approval No.)

Technical Specifications:

- Operating Voltage: 12~24 Vdc
- Current Consumption: ≤ 1.3A @ 12 Vdc
- Power Consumption: 15 Watts @ 12 Vdc
- TV System: PAL or NTSC
- Panel Size: 7.0"
- Resolution: 800 x (RGB) x 480
- Contrast Ratio: 500:1
- Brightness: 400 cd/m²
- Viewing Angle: 50(T), 60(B), 70(L), 70(R)
- Number of Video Inputs: 4 Camera
- Number of Triggers In: 5
- Number of Triggers Out: None
- Shutter Function on Channels: None
- Tilt Function on Channels: None
- Mirror/Normal: All Channels

Technical Specifications Continued...

- Cable Thickness:
 - Power Cables: 26/28 AWG
 - Trigger Cables: 18 AWG
- Weight: 522 Grams (Monitor only)
- Video Input: 1.0 Vp-p / 75Ω
- Length of Cable:
 - Monitor Pigtail: 300 ± 30mm
 - Cable Adapter: 1000 ± 80mm
- Overall Dimensions: (Without Sunshield & Bracket)
 - 182 mm (W) x 43 mm (D) x 122 mm (H)
- Casing Material: ABS 757
- Colour: Black

Features:

- Digital LCD Panel
- Tamperproof
- Remote Control
- On Screen Display Menu (OSD)
- Configurable Trigger off Delay (0-30 sec.)
- Backlit Control Buttons
- Built in speaker
- Electronic Distance Markers
- Quad Image Capability
- PIP

Package Contents:

- 1x Monitor
- 1x Cable Adapter
- 1x Sunshield
- 1x 'U' Bracket & Thumb Screws
- 1x Short Arm Bracket
- 1x Installation Guide
- 1x Remote & Battery